

MANIPULATOR M5

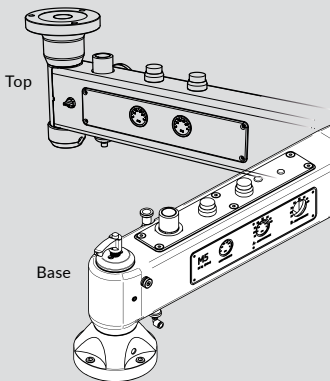


VERTICAL
 ↑ REACH
28 in

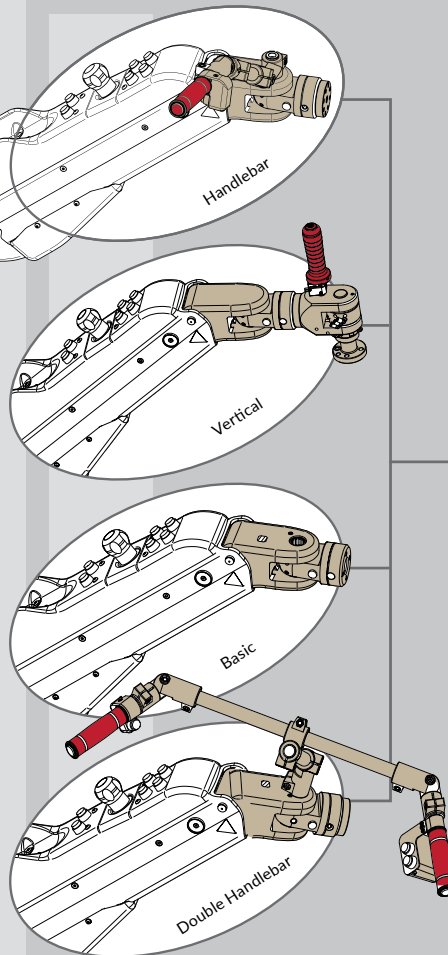
HORIZONTAL
 → REACH
65 in

MAX.
 up to
110 lbs

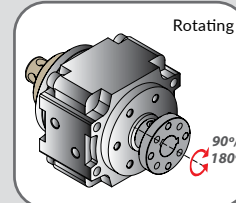
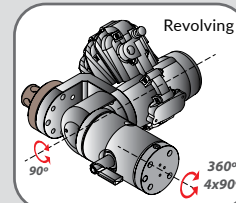
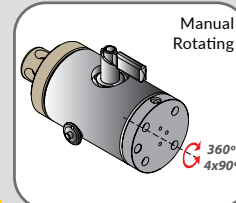
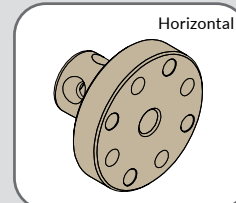
MOUNT



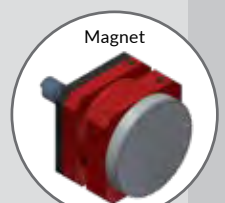
HANDLE



HEAD STYLE



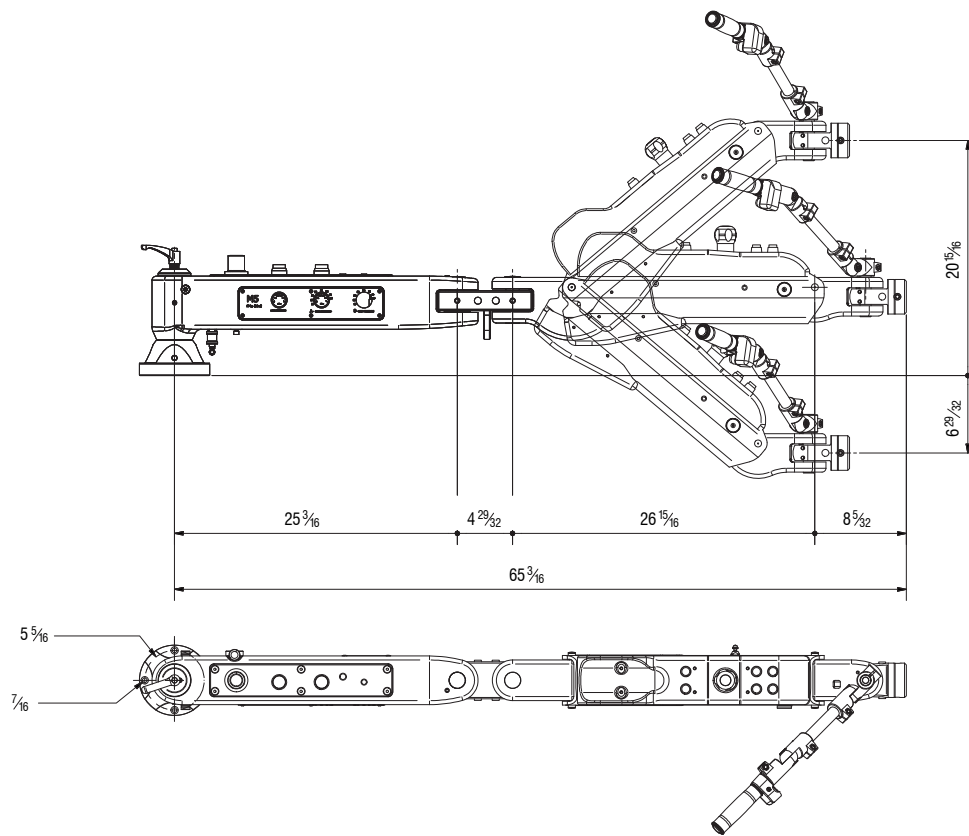
GRIPPING SYSTEM



The Manipulator can be equipped with a variety of specialty gripping tools. It is engineered to manually handle, center and set loads of up to 110 lbs in a weightless condition, in any direction. The Manipulator aids the operator in precise ergonomic work handling, effortlessly and safely.

3arm Manipulator M5 offers a wide variety of configurations to move parts to and from conveyors, assembly lines, machine tools and much more up to 110 lbs.

The operator can work safely and ergonomically while gaining an increase in productivity.



MANIPULATOR M5

FEATURES

Pneumatic specifications

Supply fluid	Pressurized air
Max. pressure of air supply	120 psi
Max. working pressure	110 psi

Movements

ZX Plane	± 40°
Working radius in XY plane	65.7"
Z1 Axis	360°
Z2 Axis	180°
Z3 Axis	180°
X Axis	360°/ 4 x 90°
Vertical travel	28"

Dimensions and weight

Height	20.4"
Length	59.1"
Width	4.5"
Weight	66 lb

Working conditions

Temperature	Max. 115 °F
Relative humidity	Rec. Max. 70%
Environment	Indoor industrial settings

Load capacity

Maximum net load, range	0-110 lb
Maximum net load	110 lb