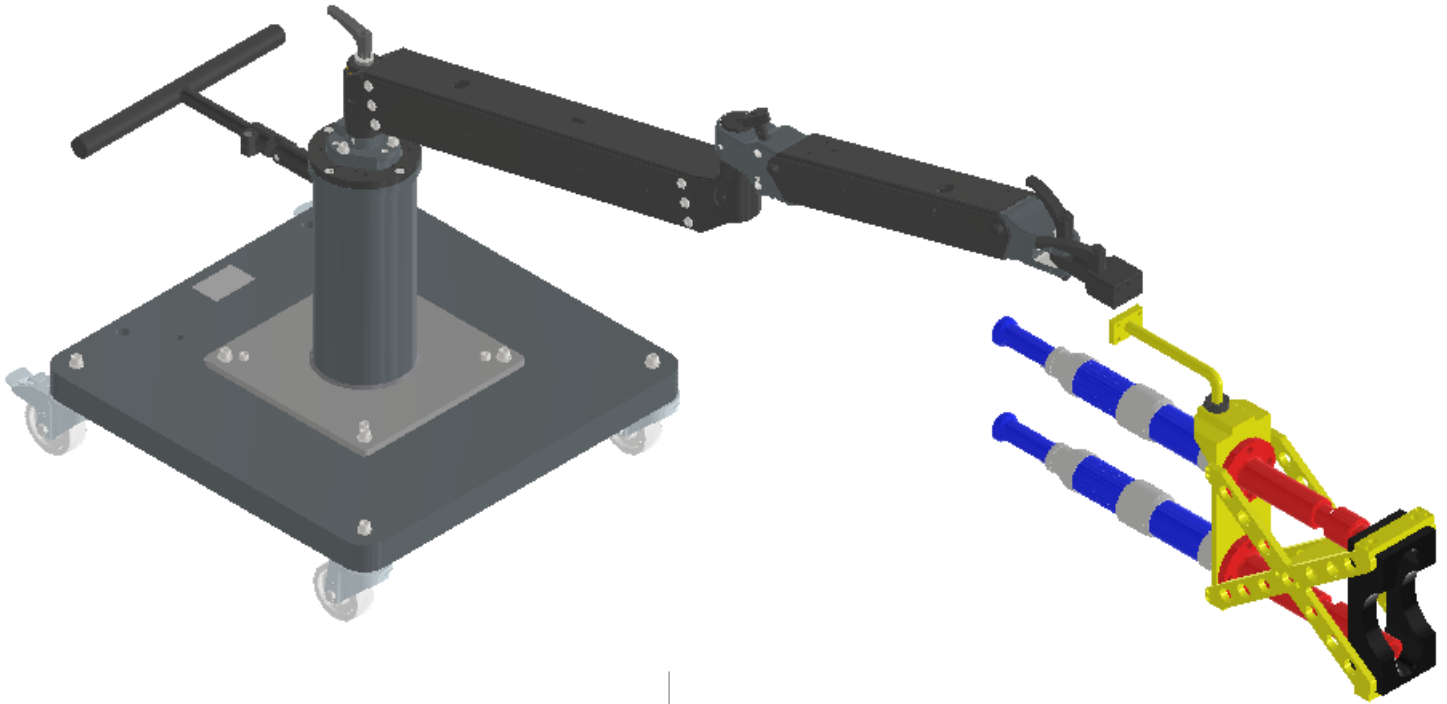


3arm

Distributor Spotlight



RHINO TOOL HOUSE
REVOLUTIONIZE YOUR PROCESS

rhinotoolhouse.com

Company

Rhino Tool House

Website: rhinotoolhouse.com

Address: 7575 Westwinds Blvd., Concord, NC 28027

Phone: 800.829.4174

Areas Covered: US east of the Rockies

About Rhino Tool House

Rhino Tool House is a family of brands dedicated to quality, safety, productivity, and innovation. Their goals are simple; make manufacturing easier, smarter, safer, and more efficient.

A specialized industrial distributor, Rhino Tool House's mission is to help customers succeed and accelerate performance by improving productivity quality and safety in their manufacturing facilities.

They do this by continuously focusing on leveraging the innovation in their product portfolio and identifying new innovations in the marketplace, then delivering that technology to their customer base through their extensive network of sales and application engineers.

Rhino Tool House has a team of over 50 product and project managers, as well as application specialists that deploy to support sales engineers throughout the country. Their focus is finding automation solutions for assembly, as well as material handling, MES worker guidance

systems, manufacturing, execution systems, software systems, and anything else that helps customers to be turnkey.

In material handling applications, Rhino Tool primarily focuses on custom material handling equipment. No two applications are alike and are typically custom equipment. They will design overhead cranes, conveyance systems, manipulators, carts, lift tables, and industrial equipment to improve safety, quality productivity, and ergonomics.

Applications that are improved by 3arm products:

- Torque reaction
- Mid-part manipulation
- Some balancing applications

Rhino Tool House specializes in designing solutions for assembly lines, whether it's starting up a new line that need a solution

to lift a part or move a part. The capability of 3arm products helps engineers designing for continuous improvement, whether it be ergonomic safety or productivity improvements. If an existing assembly line needs to produce more parts or the number of stations needs to be increased, an engineer looks to address that





with technology, and 3arm lift assist devices can help increase productivity and reduce accidents and injuries.

Rhino Tool House has designed 3arm rolling cart systems for target reaction solutions - holding an electronic tool to put on iron fastening bolts

and reacting to torque up to about 147.5 ft-lb/200 Nm. They've also designed a zero gravity reaction arm cart with a trolley column and a 3arm lift assist arm and outfitted it with the controls for intelligent fastening tools to create a consistent process for automotive underbody chassis work.

Rhino Tool House Brands:

Distribution:

- Rhino Assembly
- The Tool House
- Buckeye Tools
- KA Technologies
- Excel Air Tools

Manufacturing:

- Hovair
- GD Hoist
- FXD Torque Tools
- RAM Service Group

Service:

- The Tool House
- RAM Service Group
- CTR



Locations:

IOWA

3131 West 76th St., Suite 7
Davenport, IA 52806

KENTUCKY

11300 Decimal Dr., Suite B
Louisville, KY 40241

MINNESOTA

10900 73rd Ave N., Suite 130
Maple Grove, MN 55369

MICHIGAN

1074 Centre Dr., Suite C
Auburn Hills, MI 48326

NORTH CAROLINA

7575 Westwinds Blvd.
Concord, NC 28027

OHIO

6777 Engle Rd., Suite I
Middleburg Heights, OH 44130

--
400 Gargrave Rd.
Dayton, OH 45449

PENNSYLVANIA

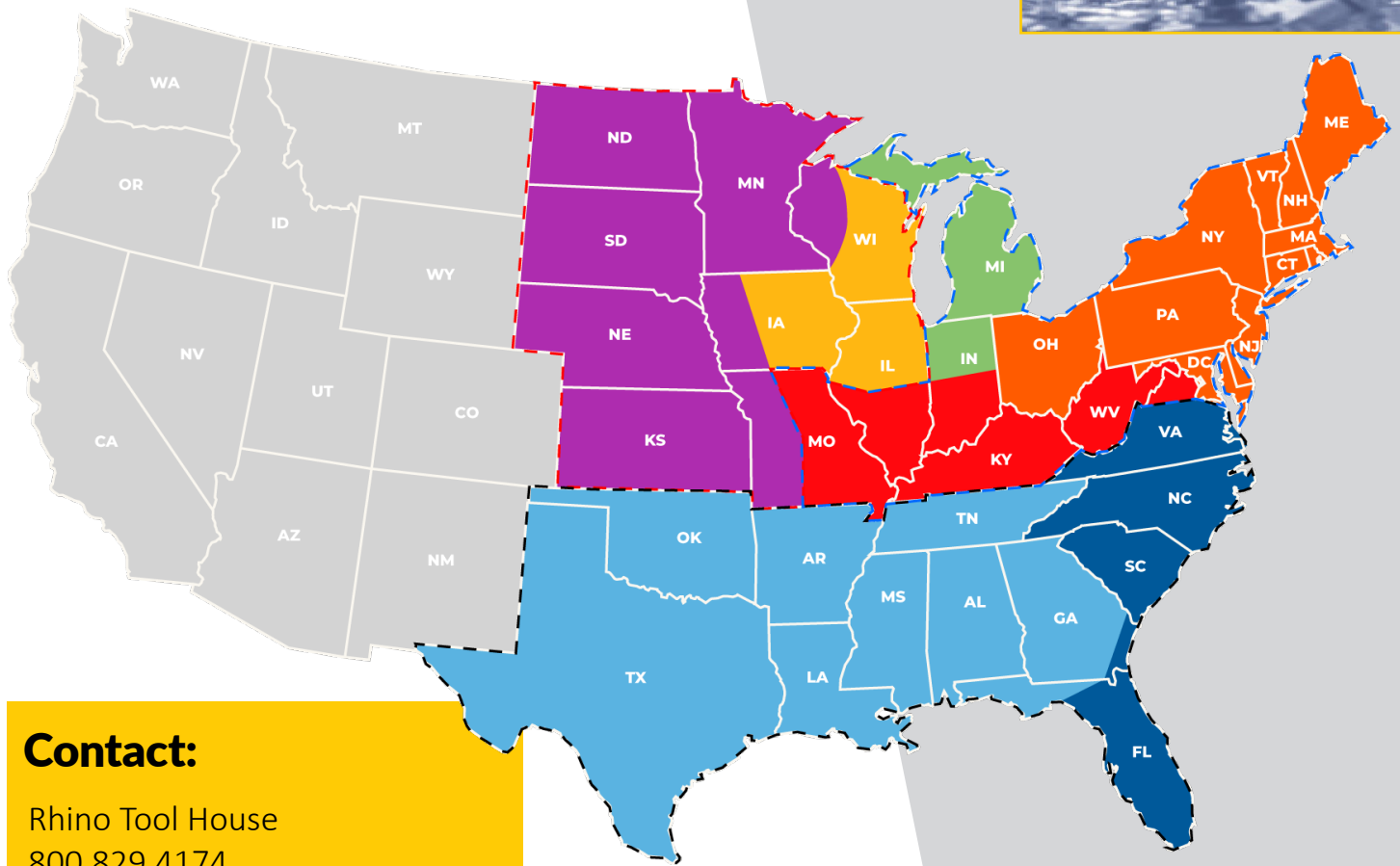
126 Carlisle St.
Hanover, PA 17331

WISCONSIN

5205 S. Emmer Dr.
New Berlin, WI 53151



Territory:



Contact:

Rhino Tool House
800.829.4174
marketing@rhinotoolhouse.com